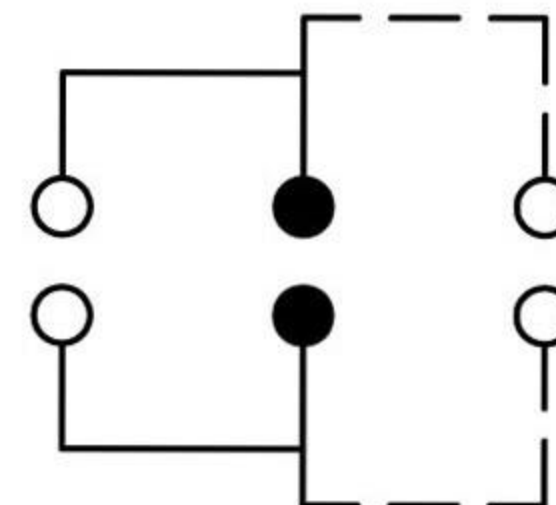
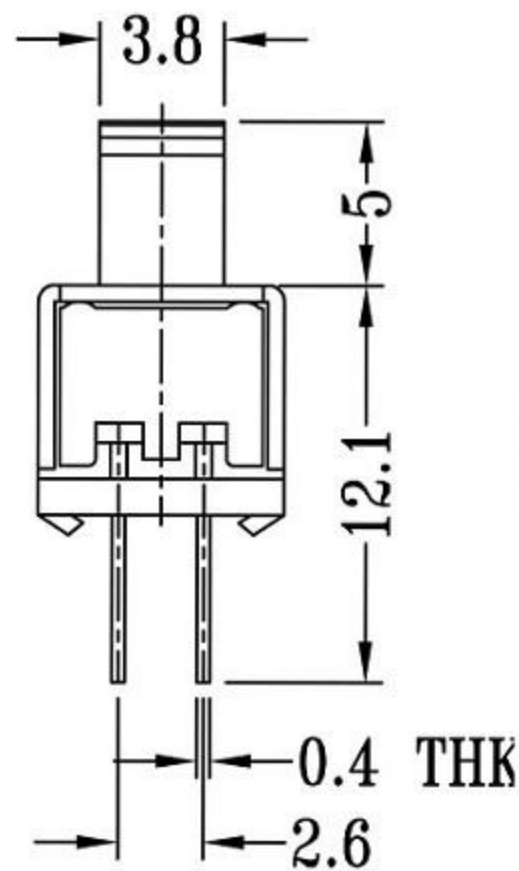
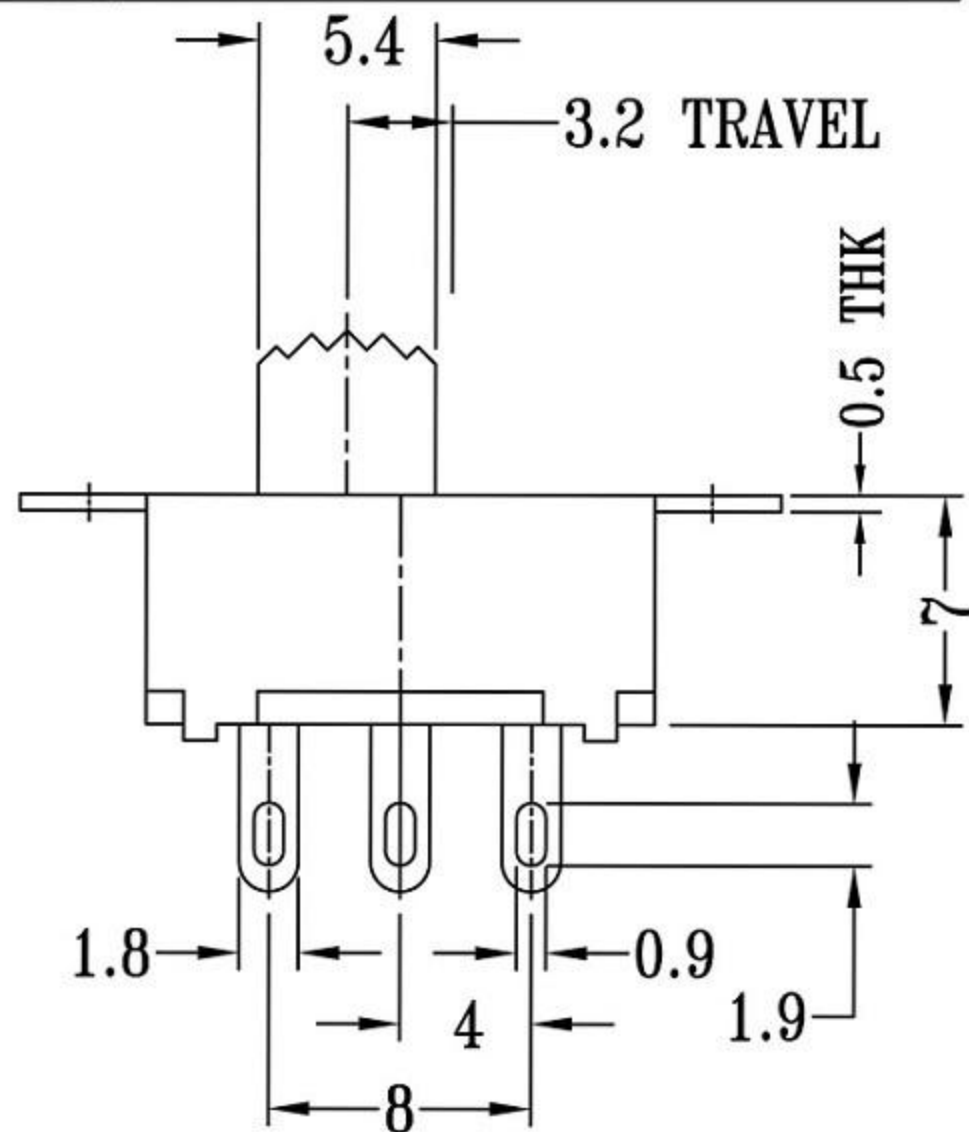
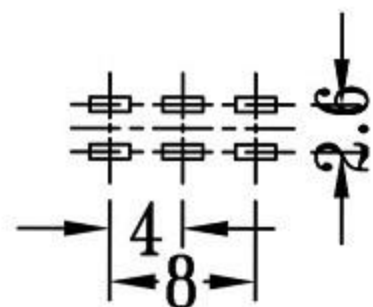
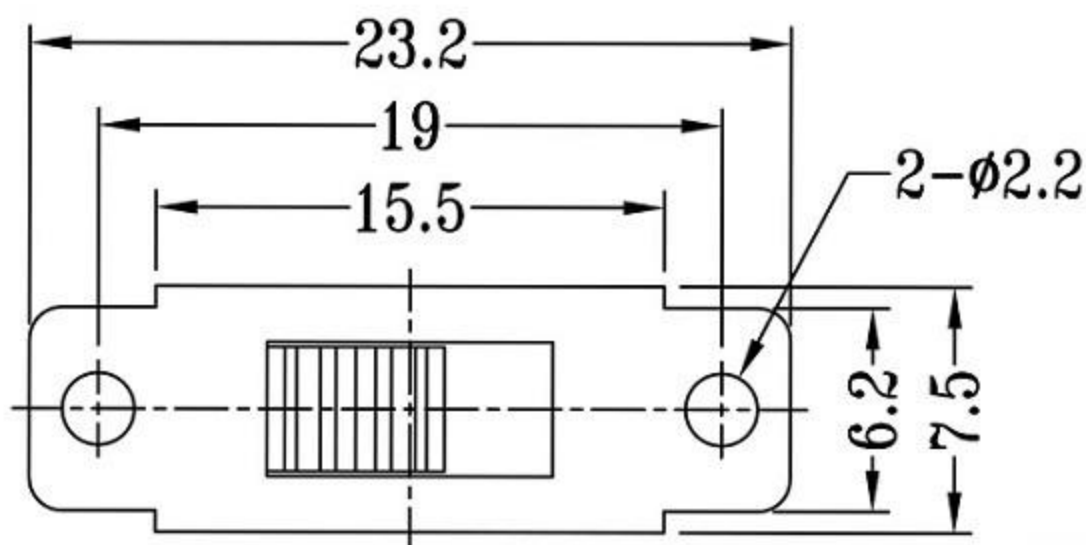


CAD FILE:



**SCHEMATIC (NON-SHORTING)**



注：“\*”表示关键尺寸(6个)

P.C.B LAYOUT

拨动开关立式技术参数:

1. 额定负荷: DC 30V 50V 0.3A 0.5A
2. 接触阻抗:  $\leq 50m\Omega$
3. 绝缘阻抗:  $\geq 100m\Omega$  DC500V
4. 耐焊温度:  $250 \pm 5^\circ$  5s
5. 使用寿命: 10,000 cycles
6. 使用温度:  $-25^\circ\text{C}$  to  $80^\circ\text{C}$
7. 使用湿度:  $\leq 85\%$  RH
8. 操作力: 160gf 256gf 300gf 可定制
9. 手柄长度: 2mm-10mm 可定制

NO.	PARTS	MATERIALS	Q'TY	FINISH	TOLERANCE UNLESS SPECIFIED		TITLE : VERTICAL SLIDE SWITCH		UNIT : mm	DRWG NO.:
8					WITHIN	A	2012-10-28	初版		
7	STEEL BALL	STEEL	1	NATURAL	OVER	ISSUE	DATE	DESCRIPTIONS OF REVISION		
6	SPRING	STEEL WIRE	1	NATURAL					APPD.	
5	CONTACT CLIP	PBS STRIP	2	Ag PLATED					SCALE: 3:1	
4	TERMINAL	BRASS STRIP	8	Ag PLATED					DWN.	2012-10-26
3	BASE	PHENOLIC RESIN	1	NATURAL					CHK'D	
2	FRAME	STEEL STRIP	1	Ni PLATED					APPD.	2012-10-26
1	KNOB	POM	1	BLACK						

东莞市高迪电子有限公司